



Article title: What are Cascading Disasters?

Authors: David Alexander, Gianluca Pescaroli

Affiliations: university college london[1]

Orcid ids: 0000-0003-3468-2970[2]

Contact e-mail: g.pescaroli@ucl.ac.uk

License information: This is an open access article distributed under the terms of the Creative Commons Attribution License (CC BY) 4.0 <https://creativecommons.org/licenses/by/4.0/>, which permits unrestricted use, distribution and reproduction in any medium, provided the original author and source are credited.

Preprint statement: This article is a preprint and has not been peer-reviewed, under consideration and submitted to UCL Open: Environment for open peer review.

DOI: 10.14324/111.444/000011.v3

Preprint first posted online: 02 July 2019

Keywords: Cascading disasters, Cascading effects, Interdependencies, Critical infrastructure, Complex systems, Scenarios, The Environment, Policy and law, Built environment

What are Cascading Disasters?

David Alexander & Gianluca Pescaroli

5

Cascades have emerged as a new paradigm in disaster studies. The high level of dependency of modern populations on critical infrastructure and networks allows the impact of disasters to propagate through socio-economic systems. Where vulnerabilities overlap and interact, escalation points are created which can create secondary effects with greater impact than the primary event. This article explains how complexity can be categorised and analysed in order to find those weak points in society that enable cascading impacts to develop. Scenarios can be used to identify critical dependencies and guide measures designed to increase resilience.

10

Experience suggests that many potential impacts of cascading disasters remain uninvestigated, which provides ample scope for escalation of impacts into complex forms of crisis.

15

20 Thirty-five years ago a group of scholars presented evidence that hazards are not the true cause of disasters but merely the trigger.¹ Until that point, the 'orthodox' model had involved a simple linear relationship: hazards, such as earthquakes, floods or industrial explosions, acted upon vulnerability (of people, assets and activities) to create risk, which periodically turned into disaster. One of the most important concepts in this formulation was the magnitude-frequency rule, which, for natural hazards, stated that the larger the event, the less frequently it would occur. Kenneth Hewitt and his colleagues turned the orthodox model on its head. The root cause of disaster, they argued, is vulnerability.²

25

30 Global change has convinced many scientists that the magnitude-frequency relationship for natural hazards involves trends and is not static.³ Vulnerability is dynamic as well. Whereas the 'hazardscape' or 'hazardousness of place', the geographical manifestation of hazards, is complicated by shifting mean frequencies and the action of one hazard upon another, the trends and interactions of vulnerability are vastly more complex. Moreover, they are difficult to study, for vulnerability, like friction, is a property that fully manifests itself only when it is mobilised by the application of a force. By the time one can characterise it, it has been transformed into impact. Hence, most studies of vulnerability are hypothetical and predictive, just as they are for risk, which is not surprising, as vulnerability is the dominant component of risk.⁴

35

40

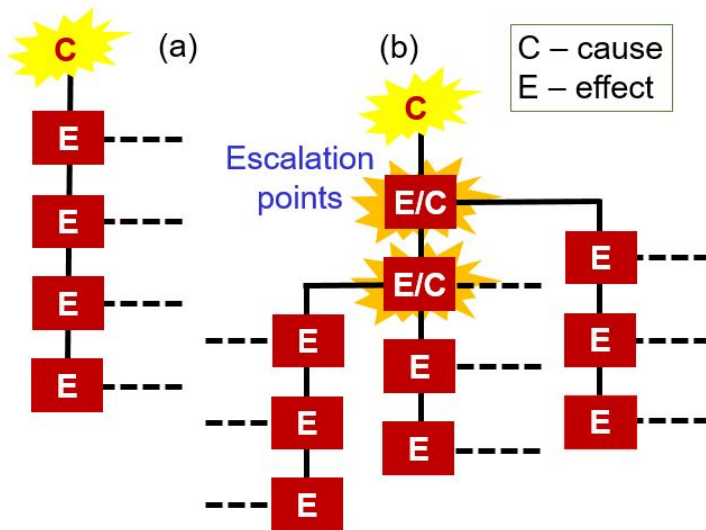
45 Studies of the interaction between hazards got underway in the 1960s and 1970s. It became apparent, for example, that a single earthquake could produce as many as 20,000 landslides.⁵ Hurricanes could spawn multiple tornadoes, rock avalanches could dam rivers and cause catastrophic outburst floods. Studies of the interaction between forms of vulnerability have been less common and have been relatively late to appear. Yet in the last 70 years world population has tripled, putting more people, their assets and their activities at risk. In the period 1970-1973 the wealth differential began to accentuate, which it has continued to do ever since, leading to gross disparities in income and opportunity. Climate change may ramp up hazards, but a

50

potentially greater problem is our increasing dependency upon networks, and the consequences if they fail us.

55 Consider the example of space weather. In 2012 a coronal mass ejection of the entity
of that which occurred in 1859 narrowly missed the Earth.⁶ Had it reached us, we
might have endured widespread disruption on global positioning systems, satellites,
telecommunications and electricity supply. A 'Carrington event' of this magnitude
would arrive with 150 billion times the energy of the Hiroshima nuclear bomb.⁷
60 Geomagnetic induced currents and ionising radiation would potentially wreak havoc
with technology. Unfortunately, the extent of dependency on the affected
technologies is still poorly mapped. Hence, there would be some unpleasant
surprises.

65 A 'Carrington event', named after the amateur astronomer who discovered solar
flares, is an example of something that could trigger a cascading disaster. The
simplest analogy for one of these is a line of toppling dominoes, in which an impact is
propagated through a series of different domains.⁸ However, there is much more to
the phenomenon than this. Vulnerability to disaster manifests itself in a series of
categories: physical and structural, environmental, social, psychological, institutional,
70 and so on. They do not develop independently of one another but interact on many
different time and space scales. The nested set of adaptation cycles that evolve in
response to the spread of vulnerabilities is known as 'panarchy', but the adaptation is
unlikely to be complete and destructive interactions between systems of vulnerability
can lead to 'panarchical collapse', and hence disaster. Where vulnerabilities coalesce
75 and overlap, escalation points are formed (Fig. 1). In cascading disasters it is
common for the secondary effects to be new sources of impact, which may be more
devastating than the original trigger.⁹



80 *Figure 1: Cascading causes (C) and effects (E): (a) Linear path of events in disasters, and
(b) non- linear escalation of cascading disasters where E/Cs represent subsidiary disasters
(Pescaroli and Alexander, 2015)*

The M9 earthquake that struck northeast Japan on 11 March 2011 killed about 100 people. However, the resulting tsunami killed at least 19,360 people (and a further 2,569 were listed as missing). The nuclear radiation release from the Fukushima Dai'ichi power plant may in the end be the enduring legacy of the disaster, and the clear-up involves problems that will take up to half a century to resolve. The Tōhoku triple disaster was one of the best examples of a cascading event. It created a vast debris field in the middle of the Pacific Ocean, it stopped automotive production in European plants, and it led to radioactive contamination and social problems that continue without end.

From now onwards, most disasters will be cascading events to a greater or lesser extent. This is because of the high degree of dependency on networks of modern society. Hazards of all kinds, from storms to cyber attacks, threaten the critical infrastructure that we depend upon to conduct our daily activities and live in comfort and security. Failures can propagate through critical infrastructure and between its various categories.¹⁰ Among these, one can single out the generation and distribution of electricity. Modern 'black-sky thinking' tells us that wide-area, prolonged power failure will have knock-on effects in all the other categories, from food storage to banking, water and sewerage to fuel supply, telecommunications to transportation.¹¹ Beyond these are the largely uncharted waters of the human social and economic consequences of the failures.

Even in the domain of technology, it is salutary to reflect that virtually all means of mass communication depend on electricity to make them work. Studies of diesel generator capacity suggest that it is both insufficient and a highly unreliable substitute for power from the grid.¹² Despite vigorous assurances from the electricity industry that "everything is under control", wide-area power failures do occur, at a rate of about one a year world-wide, and they usually take days or weeks to rectify. No electricity grid is entirely immune to all the threats that it faces: cyber attacks and coordinated sabotage terrorism, major storms and flooding, space weather, even sudden excessive demand, for example during a very hot summer. Rather than taking electricity for granted, we should be developing scenarios of how we would cope without it for extended periods of time.

Recently, it has been proposed a magnitude scale for cascading disasters (Fig. 2).¹³ The purpose of this is to provide some comparability so that events can be cross-referenced in order to adapt lessons and experience from one case to another and thus build better planning scenarios. The Cascading Disasters Research Group at University College London has been working on strategies for the identification of the vulnerability paths by which cascades propagate. This involves using gap analyses to understand the areas in which planning and measures are lacking or ineffective. The group has also identified five kinds of complex disaster impact, as follows (Fig. 3). (a) Compound risk involves the interaction of different extreme events or their drivers, such as storms, climate change and sea-level rise. It can also involve events that are merely coincident in time, such as an earthquake during a period of intense cold weather. (b) Interacting risks involve environmental drivers that can give primary and secondary impacts, as with seismically-induced mass movements. (c) Interconnected risks cover the interaction of natural and human systems. This category includes the so-called 'na-tech' events, in which a natural impact triggers a technological one. For

135

example, in the Czech Republic in 2002 and during Hurricane Harvey in Texas in 2017 floods inundated industrial premises and caused fires, explosions and toxic smoke emissions. (d) Cascading impacts disrupt critical infrastructure and closely linked organisational systems. (e) Finally, complex disasters may involve elements of any or all of the previous four categories.¹⁴

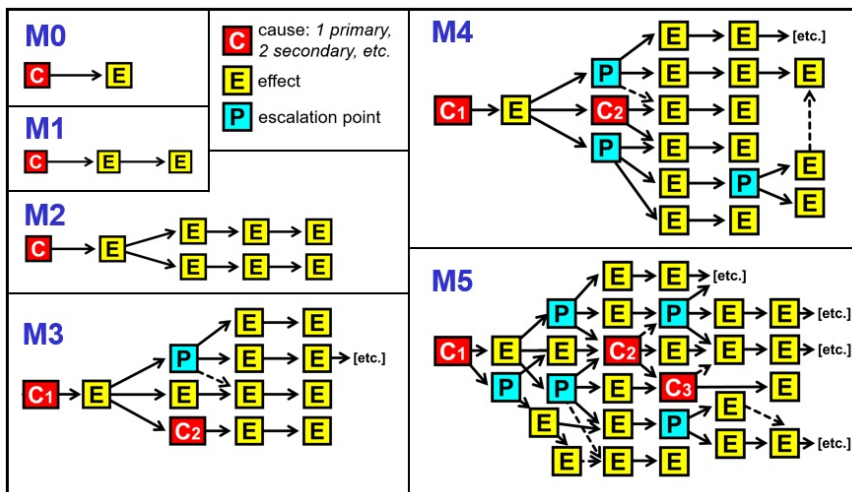


Figure 2: Cascading disasters magnitude scale.

140

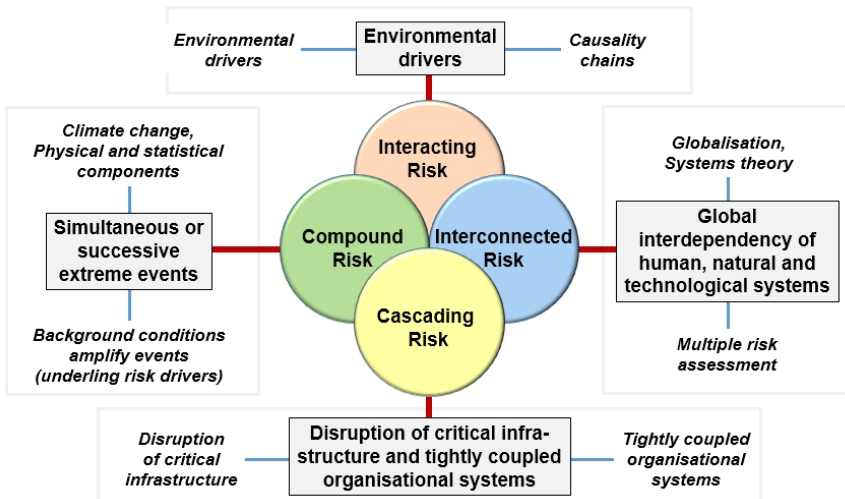


Figure 3: Compound, interconnected, interacting and cascading disasters.

145 The remedy for cascading disasters begins by recognising that they are the new

reality and must be coped with. Fault and event trees can be compiled in order to investigate the vulnerability paths by which cascading impacts are propagated. For example, in the United Kingdom hospitals are required to have generators and 11 days' diesel fuel supply to run them. However, few generators are adequately tested, many are poorly maintained and few are capable of running at full speed for prolonged periods of time.¹⁵ This begs the question of what will be the consequences if the normal *and* back-up electricity supplies fail, and what can be done both to reduce the risk and cope with potential consequences.

150

Dependencies on networks need to be identified and quantified. When, in April 2010, ash from the Icelandic volcano Eyjafjallajökull led to the grounding of civil aviation at 70 per cent of Europe's airports for almost a week, attention was focussed on the meteorology, volcanology, remote sensing and air traffic control aspects. Many other effects of the crisis went largely unobserved. Eight and a half million passengers were stranded. There was massive imbalance in the supply of and demand for ground and sea transportation and hotel accommodation. Critical supplies (such as bone marrow for transplants) could not be air freighted. Industries that are dependent on air transportation suffered major losses, and these included horticultural and agricultural enterprises, not merely airlines and airport service companies. Cultural and business activities were affected. Given that in the mid-1820s Eyjafjallajökull erupted for 13 months, and that it is one of the less powerful Icelandic volcanoes, there is an urgent need for planning scenarios that enumerate the effects of having to do without air travel for months on end.¹⁶

155

160

165

New cross-disciplinary literature has been developed to support the understanding of cascading crises in the global interconnected system, including cross-domain modelling of interdependent systems, decision support systems, impact assessments.¹⁷ These academic works tend to merge together quantitative and qualitative methodologies, producing both algorithms and scenarios for end users. The predictive evaluation of cascading effects has been improved and applied to multi-hazard analysis, including for example new modelling tools for assessing disruptions and losses.^{18,19} Moreover, new considerations and methodologies have been elaborated to understand better interdependencies and complexity, such as integrations between linear and networked risk assessments²⁰, dynamic measures of criticality²¹, and resilience of urban environments in climate change scenarios^{22,23}.

170

175

180

Deleted: ²².

Deleted: ³

The pace of change in the modern world is now faster than it has ever been in human history. On a planet that is more crowded with people than ever before, we face some formidable challenges over how to provide safety and security. Complex systems need to be understood in terms of their patterns of vulnerabilities and dependencies. The problem cannot be solved by technology alone. Indeed, technology can be part of the problem as much as it is a source of the solution. In a book on automation, David Noble observed that "...close inspection of technological development reveals that technology leads a double life, one which conforms to the intentions of designers and interests of power and another which contradicts them—proceeding behind the backs of their architects to yield unintended consequences and unanticipated possibilities."²⁴ With a robust theoretical framework, we can investigate the consequences and come to understand complexity and how to ensure that the possibilities are positive ones associated with protection, adaptation and foresight.

185

190

195

Deleted: ⁵

200 One final word about cascading crises needs to be added. In modern disasters,
context is all-important. Events, developments, policies and phenomena that are
seemingly unconnected with the disaster may be fundamental to its outcome. For
example, in modern neoliberal states there is a tendency to use fiscal austerity as a
205 means of dismantling the welfare state. There have been notable increases in
general vulnerability and the number of people who are destitute or desperately poor.
In the world's lowest-income countries, there has been some progress in lifting
people out of absolute poverty, but success have been limited. The vulnerable
include people with disabilities, the sick, the elderly and people with inadequate
210 incomes. These are the people who are most likely to suffer the most serious effects
of disaster, either directly or indirectly through the destruction or weakening of normal
support mechanisms. Thus, disaster tends to 'pick off' the least able in society. This
should be a powerful moral argument for revitalising the concept and practice of
welfare, and making it proof against complex cascading impacts.

215

References

- 220 ¹ Hewitt, K. (ed.) *Interpretations of Calamity from the Viewpoint of Human Ecology*.
Unwin-Hyman, London (1983).
- ² Hewitt, K. In Hewitt, K. (ed.) *Interpretations of Calamity from the Viewpoint of
Human Ecology*. Unwin-Hyman, London, 3-32 (1983).
- 225 ³ Alfieri, L. *et al.* Global projections of river flood risk in a warmer world. *Earth's
Future* **5**, 171-182 (2017).
- ⁴ Alexander, D.E. In Birkmann, J., Keinberger, S. & Alexander, D.E. (eds),
Assessment of Vulnerability to Natural Hazards: A European Perspective. Elsevier,
Amsterdam, p. 204 (2014).
- ⁵ Keefer, D.K., *Bull. Geol. Soc. Amer.* **95**, 406-421 (1984).
- 230 ⁶ Russell, C.T. *et al.* *Astrophys. J.* **770**, 1-5 (2013).
- ⁷ Smart, D.F., M.A. Shea and K.G. McCracken, *Advances in Space Res.* **38**, 215-
225 (2006).
- ⁸ Pescaroli, G. & Alexander, D., *Planet@Risk* **3**, 58-67 (2015).
- ⁹ Pescaroli, G. & Alexander, D., *Natural Hazards* **82**, 175-192 (2016).
- 235 ¹⁰ Rahman, H.A., Beznosov, K. & Marti, J.R., *Int. J. Critical Infrastructures* **5**, 220-244
(2009).
- ¹¹ Silvast, A. *Making Electricity Resilient: Risk and Security in a Liberalized
Infrastructure*. Routledge, London (2017).
- ¹² RAE. *Living Without Electricity: One City's Experience of Coping with Loss of
240 Power*. Royal Academy of Engineering, London (2016).
- ¹³ Alexander, D. *Int. J. Disaster Risk Reduction* **30B**, 180-185 (2018).
- ¹⁴ Pescaroli, G. & Alexander, D., *Risk Anal.* **38**, 2245-2257 (2018).
- ¹⁵ House of Lords. *Resilience of the Electricity System: Oral and Written Evidence*.
Science and Technology Select Committee, House of Lords, London (2014).
- 245 ¹⁶ Alexander, D.E., Volcanic ash in the atmosphere and risks for civil aviation: a study
in European crisis management, *Int. J. Disaster Risk Sci.* **4**, 9-19 (2013).

Formatted: Font color: Text 1

Formatted: Font color: Text 1

¹⁷ Pescaroli, G., Nones, M., Galbusera, L. & Alexander, D. E. *Understanding and mitigating cascading crises in the global interconnected system*. *International Journal of Disaster Risk Reduction* **30 (B)**, 159-163 (2018).

250 | ¹⁸ Galbusera, L., & Giannopoulos, G. *On input-output economic models in disaster impact assessment*. *International journal of disaster risk reduction* **30 (B)**, 186-198 (2018).

Deleted: 7

| ¹⁹ Zuccaro, G., De Gregorio, D., & Leone, M. *Theoretical model for cascading effects analyses*. *International journal of disaster risk reduction* **30 (B)**, 199-215 (2018).

Deleted: 8

255 | ²⁰ Clark-Ginsberg, A., Abolhassani, L., & Rahmati, E. *Comparing networked and linear risk assessments: From theory to evidence*. *International journal of disaster risk reduction* **30 (B)**, 216-224 (2018).

Deleted: 1

| ²¹ Hempel, L., Kraff, B. D., & Pelzer, R. *Dynamic interdependencies: Problematising criticality assessment in the light of cascading effects*. *International journal of disaster risk reduction* **30 (B)**, 257-268, (2018).

Deleted: 2

260 | ²² Serre, D., & Heinzlef, C. *Assessing and mapping urban resilience to floods with respect to cascading effects through critical infrastructure networks*. *International Journal of Disaster Risk Reduction* **30 (B)**, 235-243, (2018).

Deleted: 3

| ²³ Parisi, A., V. Monno, & M. D. Fidelibus. *Cascading vulnerability scenarios in the management of groundwater depletion and salinization in semi-arid areas*. *International Journal of Disaster Risk Reduction* **30 (B)**, 292-305, (2018).

Deleted: 4

265 | ²⁴ Noble, D. *Forces of Production: A Social History of Industrial Automation*. Routledge, New York, p. 325 (2011).

Deleted: 5